

Gentle transport for larger goods and quantities

The UniCar B320 is designed specifically for the handling of sensitive goods in hospitals, libraries and industry.

Typical transport tasks are palletized blood samples in laboratories, production parts or measuring device supply in an industrial production environment.

The use of the B320 trolley is ideal for the transportation of larger goods or quantities at the same time gently.

The UniCar B320 is manually loaded and unloaded. It has a swiveling container, with aligning suspension.

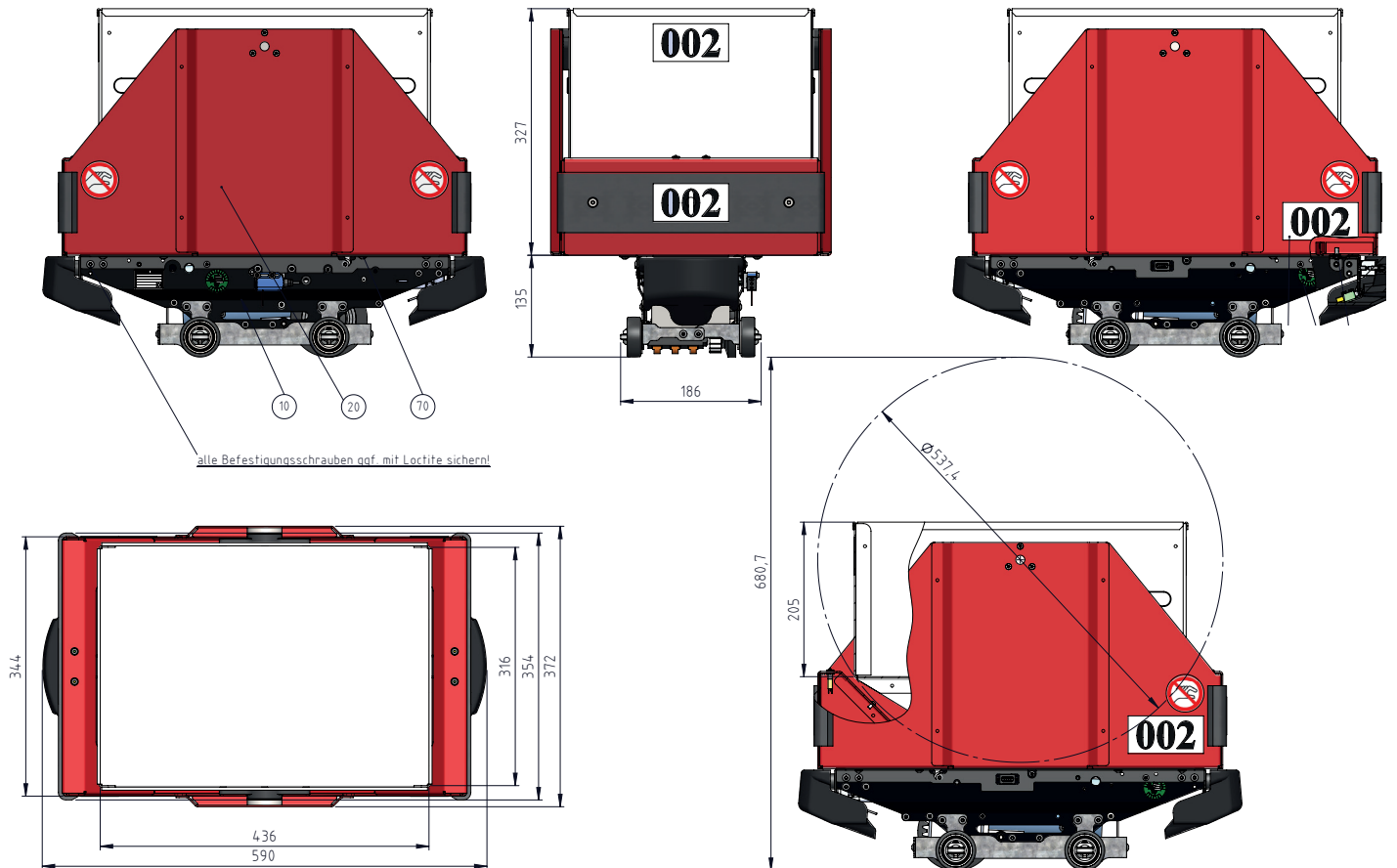
UniCar B320 features:

- Fast, gentle and efficient transport
- Increased handling volume for larger goods
- Precise Monitoring
- Spontaneous direct transport
- Manual loading up to 8kg



**MADE
IN
GERMANY**

*More than 1300 installations worldwide!
More than 50 years experience!*



Transport weight and dimensions:

- Max. transport weight: 8 kg
- Max. usable volume: 436 x 316 x 205 (L x W x H, mm), equivalent to 28 litres
- Max. dimensions: 588 x 371 x 680 (L x W x H, mm)